



# 692

## TECHNICAL SPECIFICATION SHEET

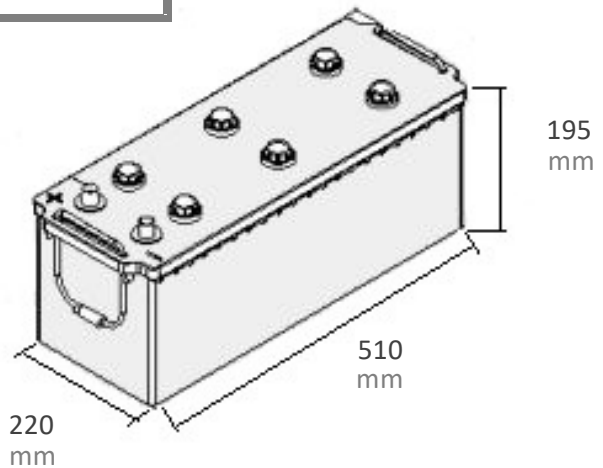


BATTERY CODE	692
BATTERY TYPE	Low Maintenance
VOLTAGE	12
PRODUCT INFORMATION:	<ul style="list-style-type: none"> <li>* Enhanced Flooded Battery (EFB)</li> <li>* Calcium Calcium Silvernano Tech</li> <li>* Automotive Application</li> </ul>

### Product Specifications:

20 Hour Cn(Ah)	Reserve Cr,n(min)	(IEC/SAE) CCA(A)	Wet Weight (Kg)
170	280	1050	41

### Dimensions:



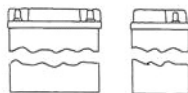
### Terminal Type and Layout

STANDARD TAPER TERMINAL / TYPE A



### Hold Down:

B0 - No bottom hold downs.



### Special Features:

- Polypropylene Container: YES
- Handles: YES
- Centrally Vented Cover:
- One Piece Din Type Cover:

**TERMINOLOGY:**

*CCA/SAE (Is): Cold Cranking Amperes (CCA) is the constant discharge current in Amperes, which the battery can supply at -18°C for 30 seconds before the voltage drops below 1.2 volts per cell (7.2 volts for 12 volt battery).*

*Reserve Capacity (Cr.n): Is the time in minutes for which the battery can maintain a constant discharge current of 25A before the final voltage drops below 10.5 V at 25 ± 2°C.*

*Cn: Is the nominal electric discharge (Ah) which the battery can supply with a constant current for a period of 20 hours before the final voltage drops below 1.75 volts per cell (10.5V for 12 volt battery) at 25 ± 2°C.*

